

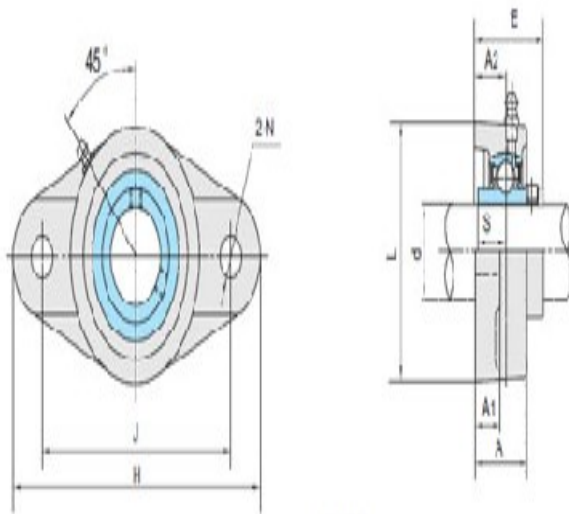
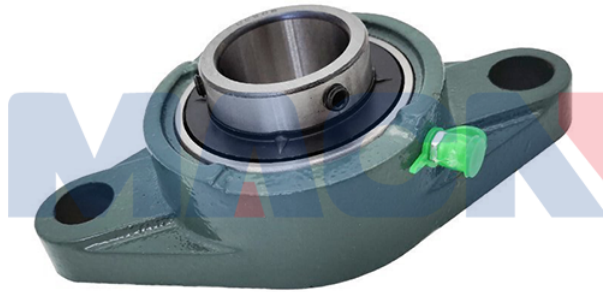
Model: UCFL311-32

Shaft Dia.

d (in.):	2
d (mm):	

Dimensions(mm)(inch)

H:	9.8425
J:	7.7953
L:	5.9055
A2:	1.1811
A1:	0.7874
A:	2.0472
N:	0.9842
E:	2.7953
S:	0.9842



Unit No.

Unit No.:	UCFL311-32
-----------	------------

Bolt Used (mm) (in.)

Bolt Used (mm) (in.):	7/8
-----------------------	-----

Bearing No.

Bearing No.:	UC311-32
--------------	----------

Housing No.

Housing No.:	
--------------	--

Weight(kg)(lb)

Weight(kg)(lb):	
-----------------	--