



**Model: UCFL310-31**

Shaft Dia.

d (in.): 115/16

d (mm):

Dimensions(mm)(inch)

H: 9.4488

J: 7.3622

L: 5.5118

A2: 1.1024

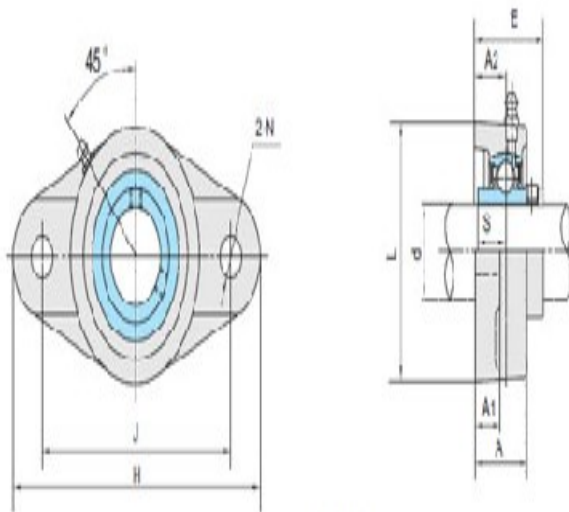
A1: 0.7480

A: 1.8898

N: 0.9842

E: 2.6378

S: 0.8661



UCFL3

Unit No.

Unit No.: UCFL310-31

Bolt Used (mm) (in.)

Bolt Used (mm) (in.): 7/8

Bearing No.

Bearing No.: UC310-31

Housing No.

Housing No.:

Weight(kg)(lb)

Weight(kg)(lb): 9.7