

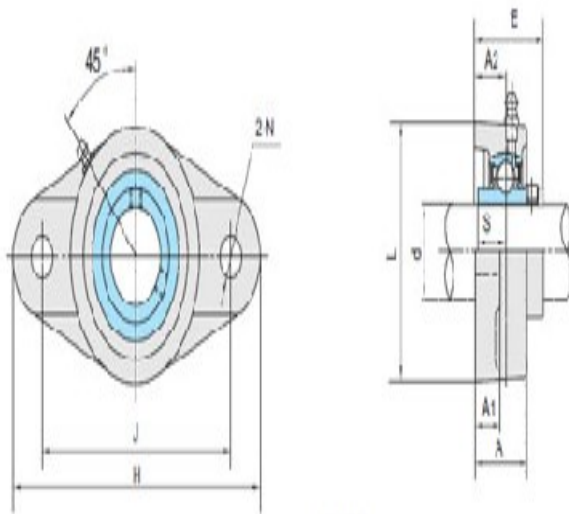
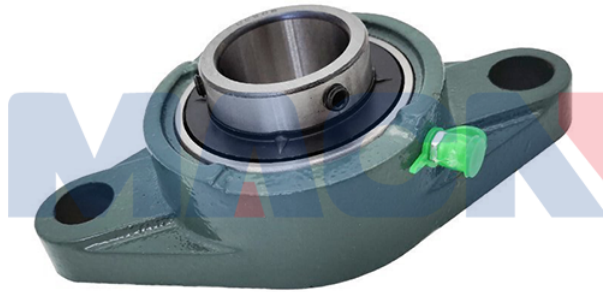
**Model: UCFL309-27**

Shaft Dia.

d (in.):	111/16
d (mm):	

Dimensions(mm)(inch)

H:	9.0551
J:	6.9685
L:	4.9212
A2:	0.9842
A1:	0.7087
A:	1.7323
N:	0.9842
E:	2.3622
S:	0.8661



UCFL3

Unit No.

Unit No.:	UCFL309-27
-----------	------------

Bolt Used (mm) (in.)

Bolt Used (mm) (in.):	7/8
-----------------------	-----

Bearing No.

Bearing No.:	UC309-27
--------------	----------

Housing No.

Housing No.:	
--------------	--

Weight(kg)(lb)

Weight(kg)(lb):	7.8
-----------------	-----