

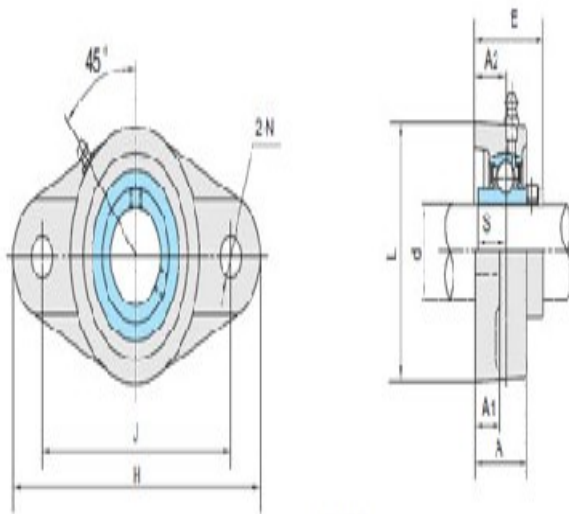
**Model: UCFL307**

Shaft Dia.

d (in.):	
d (mm):	35

Dimensions(mm)(inch)

H:	185
J:	141
L:	100
A2:	20
A1:	16
A:	36
N:	23
E:	49
S:	19



UCFL3

Unit No.

Unit No.:	UCFL307
-----------	---------

Bolt Used (mm) (in.)

Bolt Used (mm) (in.):	M20
-----------------------	-----

Bearing No.

Bearing No.:	UC307
--------------	-------

Housing No.

Housing No.:	FL307
--------------	-------

Weight(kg)(lb)

Weight(kg)(lb):	1.91
-----------------	------