

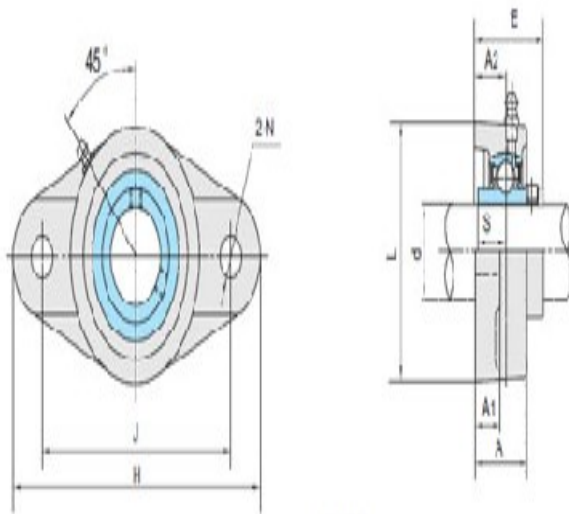
Model: UCFL305-16

Shaft Dia.

d (in.):	1
d (mm):	

Dimensions(mm)(inch)

H:	5.9055
J:	4.4488
L:	3.1496
A2:	0.6299
A1:	0.5118
A:	1.1417
N:	0.7480
E:	1.5354
S:	0.5906



UCFL3

Unit No.

Unit No.:	UCFL305-16
-----------	------------

Bolt Used (mm) (in.)

Bolt Used (mm) (in.):	5/8
-----------------------	-----

Bearing No.

Bearing No.:	UC305-16
--------------	----------

Housing No.

Housing No.:	
--------------	--

Weight(kg)(lb)

Weight(kg)(lb):	
-----------------	--