

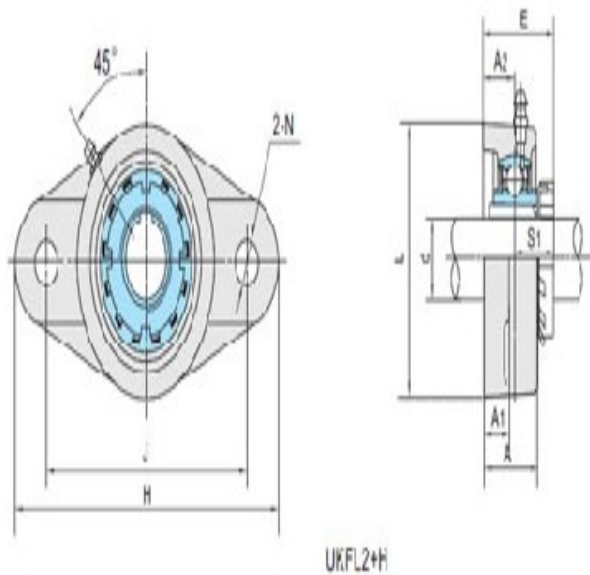
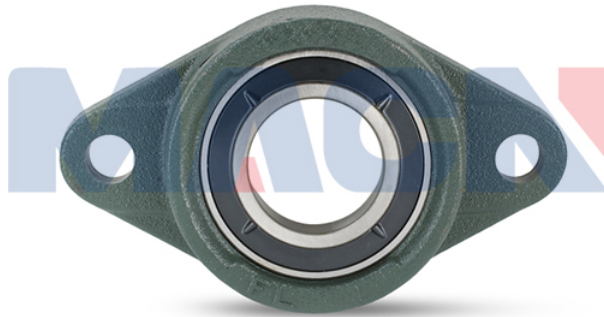
Model: UKFL217+HE2317

Shaft Dia.

d (in.):	3
d (mm):	

Dimensions(mm)(inch)

H:	12.008
J:	9.7638
L:	7.4803
A2:	1.4173
A1:	0.9449
A:	2.4803
N:	0.9842
E:	3.0315
S1:	1.6142



Unit No.

Unit No.:	UKFL217+HE2317
-----------	----------------

Bolt Used (mm) (in.)

Bolt Used (mm)	7/8
(in.):	

Bearing No.

Bearing No.:	
--------------	--

Housing No.

Housing No.:	
--------------	--

Adapter Used.

Adapter Used.:	He2317
----------------	--------

Weight(kg)(lb)

Weight(kg)(lb):	21.3
-----------------	------