

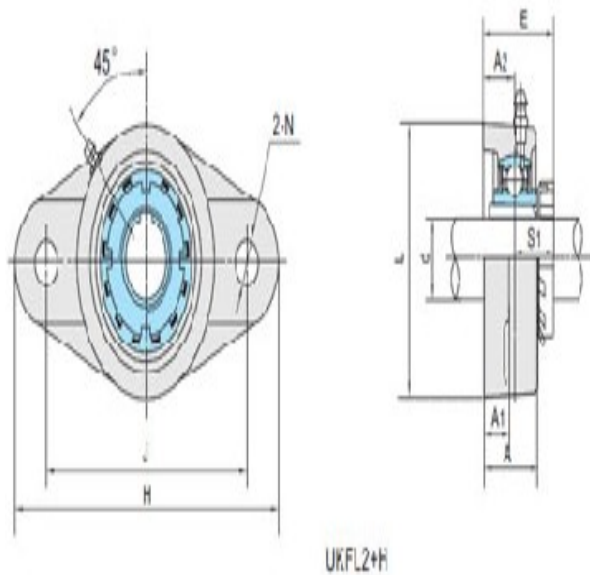
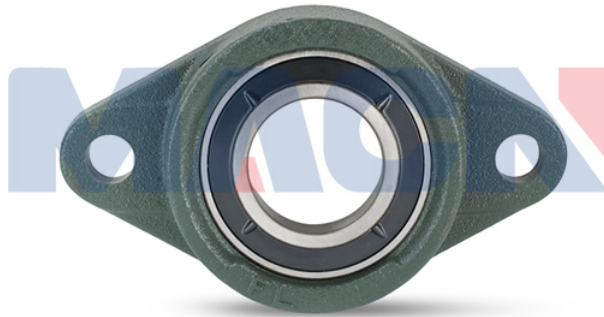
Model: UKFL217+H2317

Shaft Dia.

d (in.):	
d (mm):	75

Dimensions(mm)(inch)

H:	305
J:	248
L:	190
A2:	36
A1:	24
A:	63
N:	25
E:	77.0
S1:	41.0



Unit No.

Unit No.:	UKFL217+H2317
	7

Bolt Used (mm) (in.)

Bolt Used (mm)	M22
(in.):	

Bearing No.

Bearing No.:	UK217
--------------	-------

Housing No.

Housing No.:	FL217
--------------	-------

Adapter Used.

Adapter Used.:	H2317
----------------	-------

Weight(kg)(lb)

Weight(kg)(lb):	9.7
-----------------	-----