

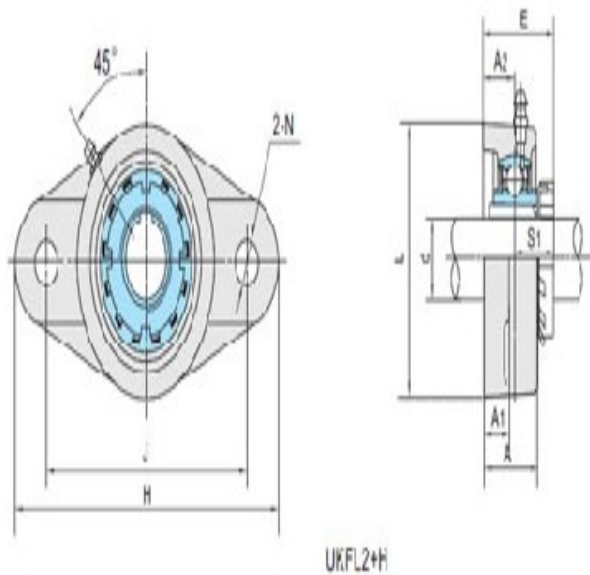
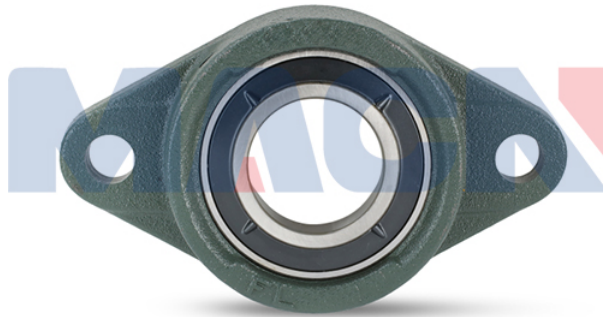
**Model: UKFL216+HE2316**

Shaft Dia.

d (in.):	23/4
d (mm):	

Dimensions(mm)(inch)

H:	11.417
J:	9.1732
L:	7.0866
A2:	1.3386
A1:	0.8661
A:	2.2835
N:	0.9842
E:	2.8740
S1:	1.5354



Unit No.

Unit No.:	UKFL216+HE2316
	6

Bolt Used (mm) (in.)

Bolt Used (mm)	
(in.):	7/8

Bearing No.

Bearing No.:

Housing No.

Housing No.:

Adapter Used.

Adapter Used.: HE2316

Weight(kg)(lb)

Weight(kg)(lb):