

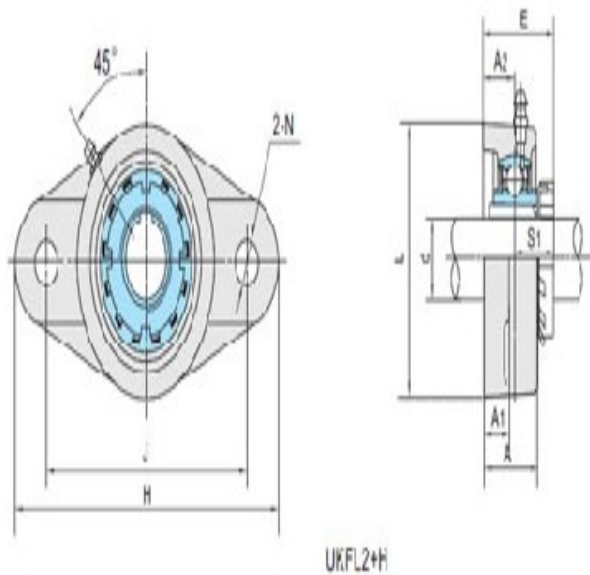
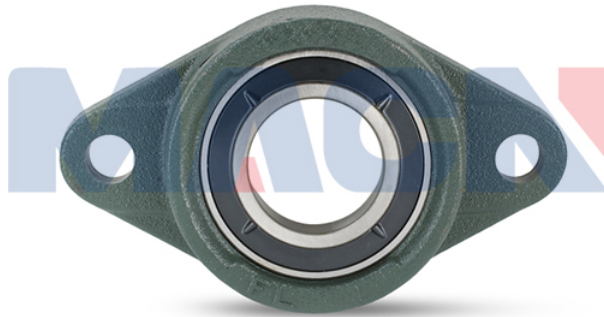
Model: UKFL216+H2316

Shaft Dia.

d (in.):	
d (mm):	70

Dimensions(mm)(inch)

H:	290
J:	233
L:	180
A2:	34
A1:	22
A:	58
N:	25
E:	73.0
S1:	39.0



Unit No.

Unit No.:	UKFL216+H2316
	6

Bolt Used (mm) (in.)

Bolt Used (mm)	M22
(in.):	

Bearing No.

Bearing No.:	UK216
--------------	-------

Housing No.

Housing No.:	FL216
--------------	-------

Adapter Used.

Adapter Used.:	H2316
----------------	-------

Weight(kg)(lb)

Weight(kg)(lb):	8.16
-----------------	------