

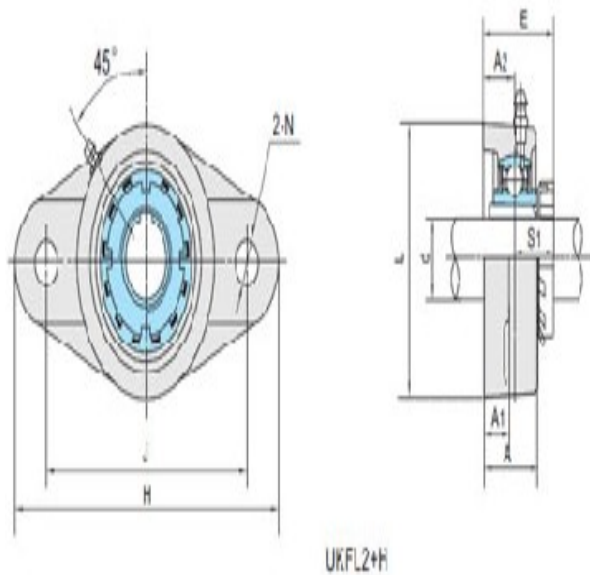
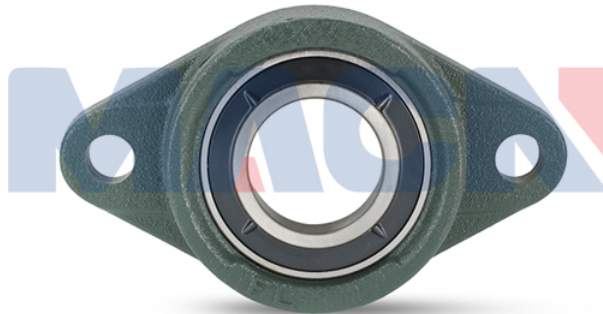
Model: UKFL215+HA2315

Shaft Dia.

d (in.):	27/16
d (mm):	

Dimensions(mm)(inch)

H:	10.827
J:	8.8583
L:	6.4961
A2:	1.3386
A1:	0.8661
A:	2.2047
N:	0.9055
E:	2.7362
S1:	1.3976



Unit No.

Unit No.:	UKFL215+HA2315
	5

Bolt Used (mm) (in.)

Bolt Used (mm)	
(in.):	3/4

Bearing No.

Bearing No.:

Housing No.

Housing No.:

Adapter Used.

Adapter Used.: HA2315

Weight(kg)(lb)

Weight(kg)(lb): 14.5