

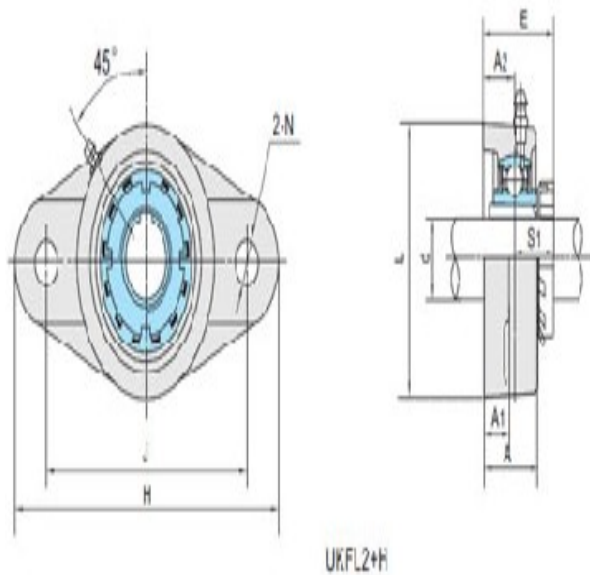
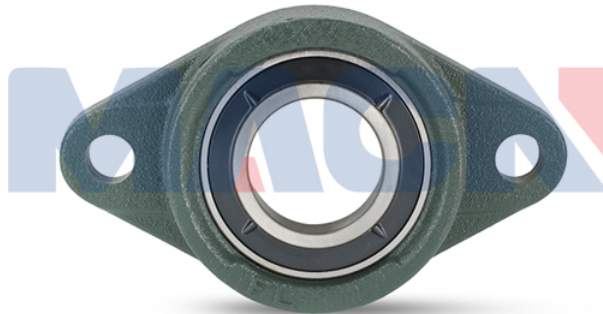
Model: UKFL213+HS2313

Shaft Dia.

d (in.):	23/8
d (mm):	

Dimensions(mm)(inch)

H:	10.157
J:	8.2677
L:	6.1024
A2:	1.1811
A1:	0.8661
A:	1.9685
N:	0.9055
E:	2.4803
S1:	1.0992



Unit No.

Unit No.:	UKFL213+HS2313 3
-----------	---------------------

Bolt Used (mm) (in.)

Bolt Used (mm) (in.):	3/4
--------------------------	-----

Bearing No.

Bearing No.:

Housing No.

Housing No.:

Adapter Used.

Adapter Used.: HS2313

Weight(kg)(lb)

Weight(kg)(lb):