

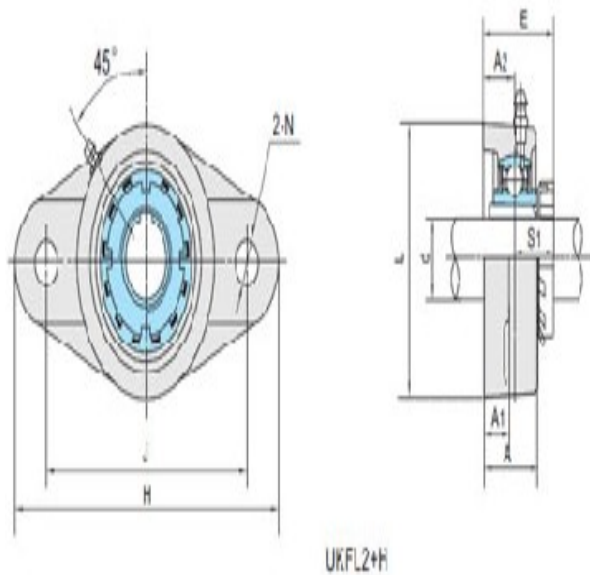
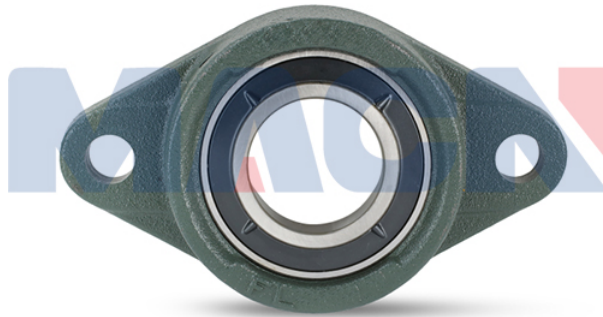
**Model: UKFL212+HS2312**

Shaft Dia.

d (in.):	21/8
d (mm):	

Dimensions(mm)(inch)

H:	9.8425
J:	7.9528
L:	5.5118
A2:	1.1417
A1:	0.7087
A:	1.8898
N:	0.9055
E:	2.3622
S1:	1.2205



Unit No.

Unit No.:	UKFL212+HS2312
	2

Bolt Used (mm) (in.)

Bolt Used (mm)	
(in.):	3/4

Bearing No.

Bearing No.:

Housing No.

Housing No.:

Adapter Used.

Adapter Used.: HS2312

Weight(kg)(lb)

Weight(kg)(lb): 8.8