

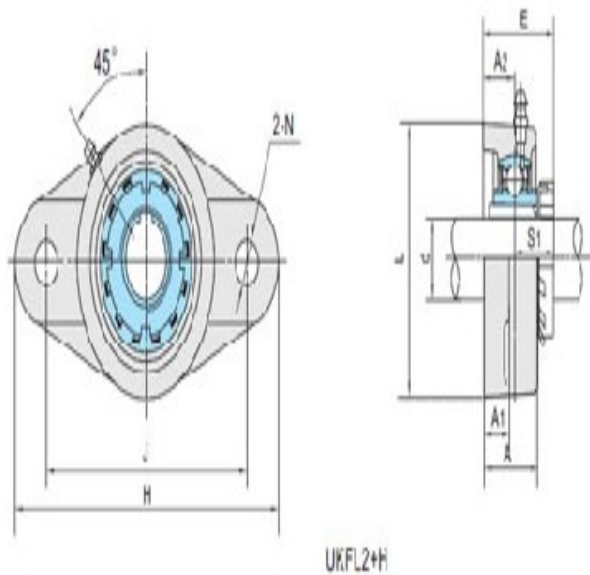
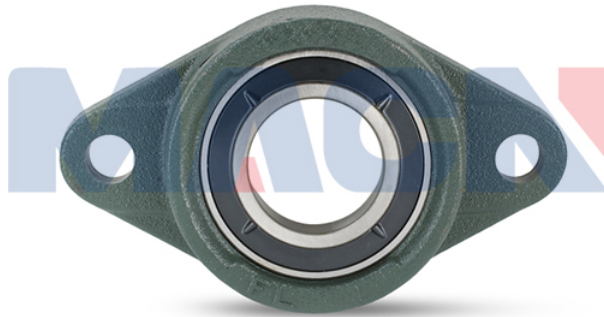
Model: UKFL211+HE2311

Shaft Dia.

d (in.):	2
d (mm):	

Dimensions(mm)(inch)

H:	8.8198
J:	7.2441
L:	5.1181
A2:	0.9842
A1:	0.7087
A:	1.6929
N:	0.7480
E:	2.1063
S1:	1.1220



Unit No.

Unit No.:	UKFL211+HE2311
	1

Bolt Used (mm) (in.)

Bolt Used (mm)	5/8
(in.):	

Bearing No.

Bearing No.:	
--------------	--

Housing No.

Housing No.:	
--------------	--

Adapter Used.

Adapter Used.:	HE2311
----------------	--------

Weight(kg)(lb)

Weight(kg)(lb):	
-----------------	--