

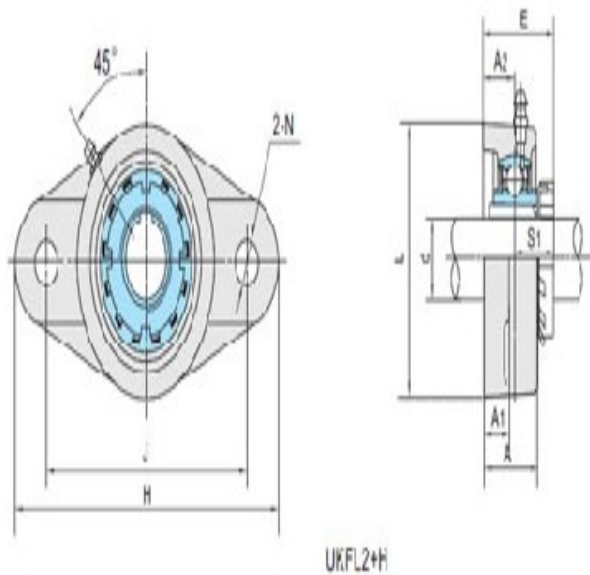
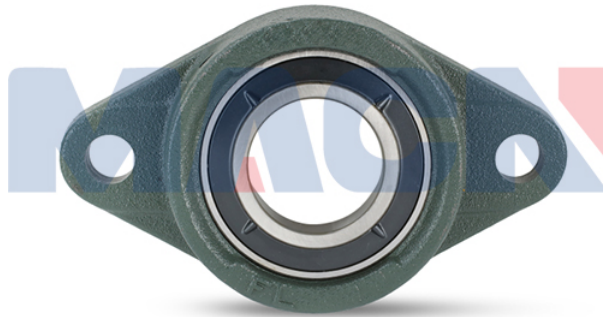
**Model: UKFL210+HA2310**

Shaft Dia.

d (in.):	111/16
d (mm):	

Dimensions(mm)(inch)

H:	7.7559
J:	6.1811
L:	4.5276
A2:	0.8661
A1:	0.6299
A:	1.5748
N:	0.7480
E:	1.9488
S1:	1.0827



Unit No.

Unit No.:	UKFL210+HA2310
	0

Bolt Used (mm) (in.)

Bolt Used (mm)	5/8
(in.):	

Bearing No.

Bearing No.:

Housing No.

Housing No.:

Adapter Used.

Adapter Used.: HA2310

Weight(kg)(lb)

Weight(kg)(lb): 5.1