

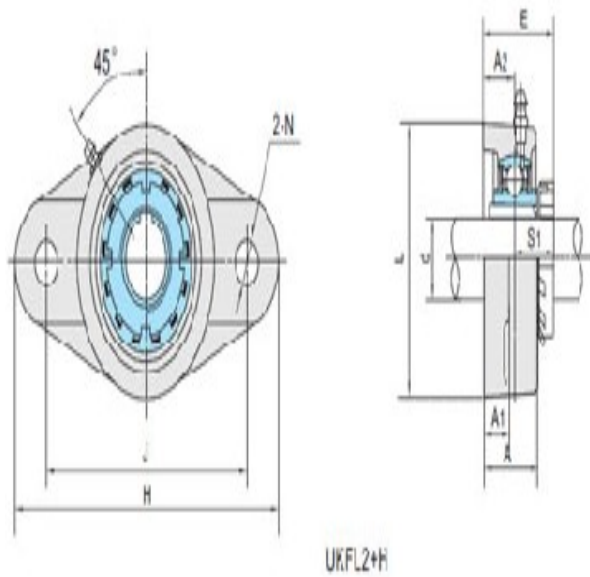
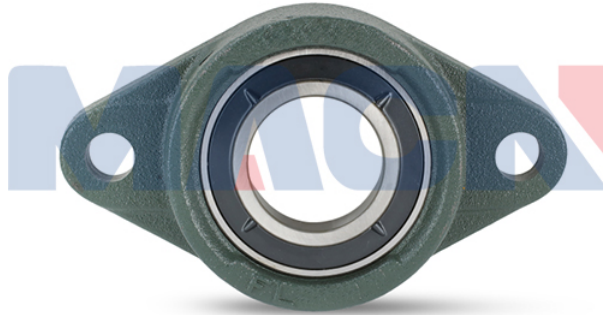
**Model: UKFL209+H2309**

Shaft Dia.

d (in.):	
d (mm):	40

Dimensions(mm)(inch)

H:	188
J:	148
L:	108
A2:	22
A1:	16
A:	38
N:	19
E:	48.0
S1:	26.0



Unit No.

Unit No.:	UKFL209+H2309
-----------	---------------

Bolt Used (mm) (in.)

Bolt Used (mm)	M10
(in.):	

Bearing No.

Bearing No.:	UK209
--------------	-------

Housing No.

Housing No.:	FL209
--------------	-------

Adapter Used.

Adapter Used.:	H2309
----------------	-------

Weight(kg)(lb)

Weight(kg)(lb):	1.93
-----------------	------