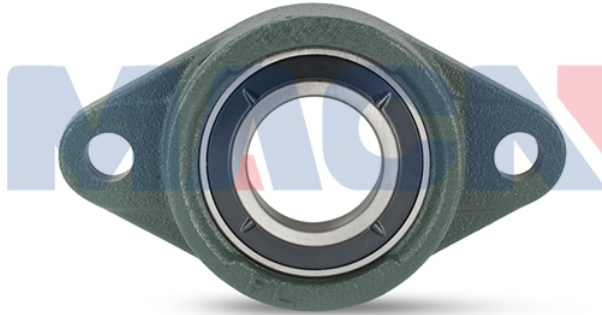


Model: UKFL208+HS2308

Shaft Dia.

d (in.): 13/8

d (mm):



Dimensions(mm)(inch)

H: 6.8898

J: 5.6693

L: 3.9370

A2: 0.8268

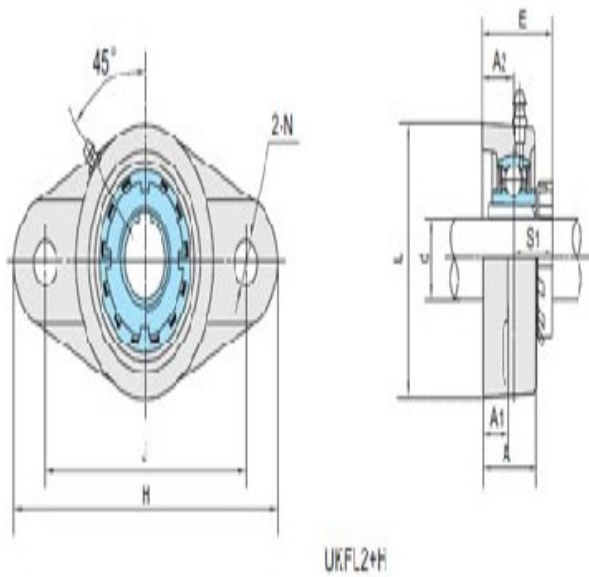
A1: 0.5906

A: 1.4173

N: 0.6299

E: 1.7913

S1: 0.9646



Unit No.

Unit No.: UKFL208+HS2308
8

Bolt Used (mm) (in.)

Bolt Used (mm)
(in.): 9/16

Bearing No.

Bearing No.:

Housing No.

Housing No.:

Adapter Used.

Adapter Used.: HS2308

Weight(kg)(lb)

Weight(kg)(lb): 3.6