

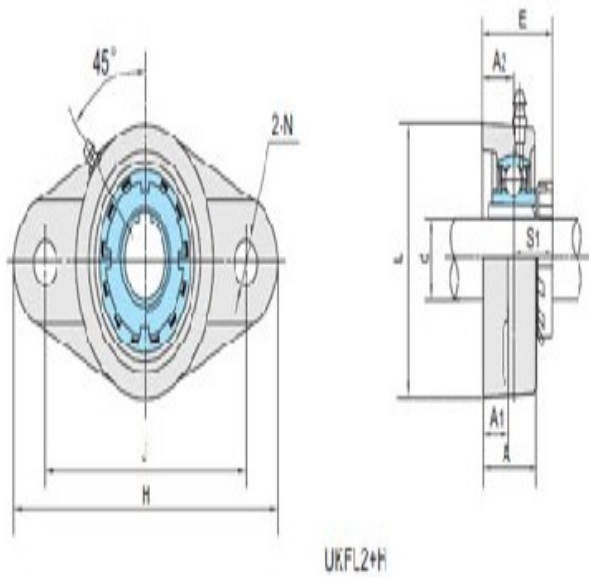
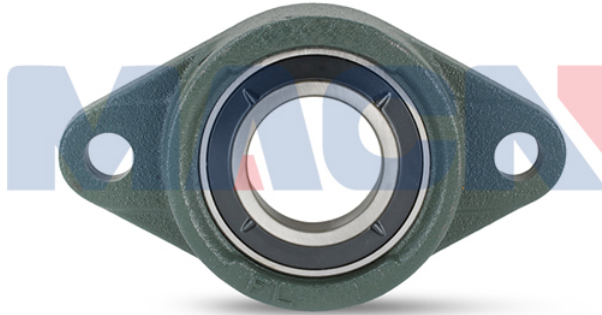
**Model: UKFL208+HE2308**

Shaft Dia.

d (in.):	1 1/4
d (mm):	

Dimensions(mm)(inch)

H:	6.8898
J:	5.6693
L:	3.9370
A2:	0.8268
A1:	0.5906
A:	1.4173
N:	0.6299
E:	1.7913
S1:	0.9646



Unit No.

Unit No.:	UKFL208+HE2308
	8

Bolt Used (mm) (in.)

Bolt Used (mm)	
(in.):	9/16

Bearing No.

Bearing No.:

Housing No.

Housing No.:

Adapter Used.

Adapter Used.: HE2308

Weight(kg)(lb)

Weight(kg)(lb):