

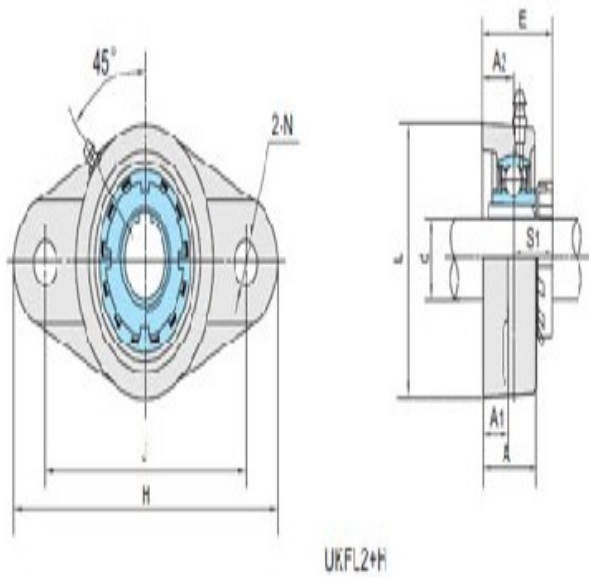
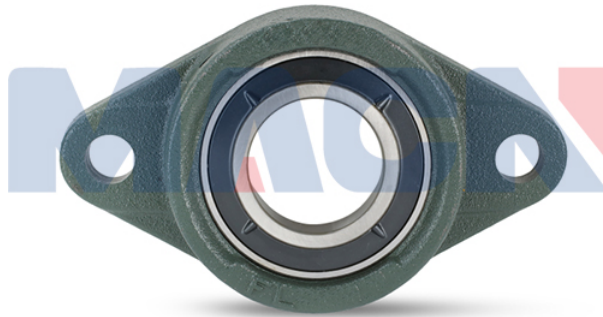
Model: UKFL207+HS2307

Shaft Dia.

d (in.):	11/16
d (mm):	

Dimensions(mm)(inch)

H:	6.3386
J:	5.1181
L:	3.5433
A2:	0.7480
A1:	0.5906
A:	1.3386
N:	0.6299
E:	1.6338
S1:	0.8858



Unit No.

Unit No.:	UKFL207+HS2307
	7

Bolt Used (mm) (in.)

Bolt Used (mm)	9/16
(in.):	

Bearing No.

Bearing No.:

Housing No.

Housing No.:

Adapter Used.

Adapter Used.: HS2307

Weight(kg)(lb)

Weight(kg)(lb): 2.8