

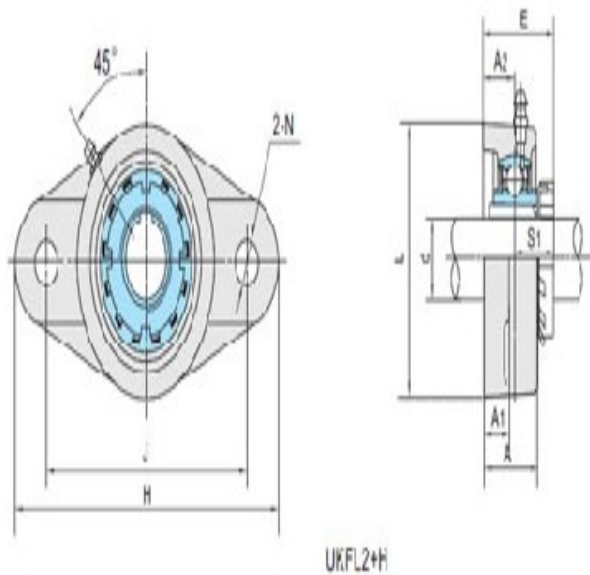
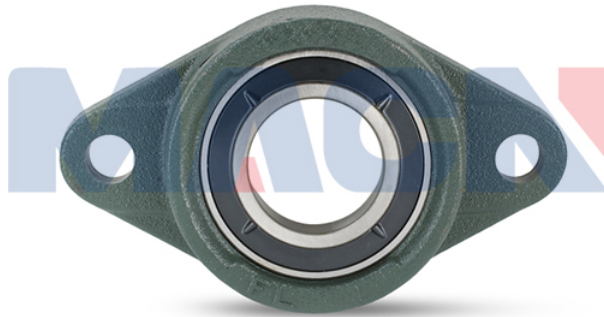
Model: UKFL207+H2307

Shaft Dia.

| | |
|----------|----|
| d (in.): | |
| d (mm): | 30 |

Dimensions(mm)(inch)

| | |
|-----|------|
| H: | 161 |
| J: | 130 |
| L: | 90 |
| A2: | 19 |
| A1: | 15 |
| A: | 34 |
| N: | 16 |
| E: | 41.5 |
| S1: | 22.5 |



Unit No.

| | |
|-----------|---------------|
| Unit No.: | UKFL207+H2307 |
| | 7 |

Bolt Used (mm) (in.)

| | |
|----------------|-----|
| Bolt Used (mm) | M14 |
| (in.): | |

Bearing No.

| | |
|--------------|-------|
| Bearing No.: | UK207 |
|--------------|-------|

Housing No.

| | |
|--------------|-------|
| Housing No.: | FL207 |
|--------------|-------|

Adapter Used.

| | |
|----------------|-------|
| Adapter Used.: | H2307 |
|----------------|-------|

Weight(kg)(lb)

| | |
|-----------------|------|
| Weight(kg)(lb): | 1.26 |
|-----------------|------|