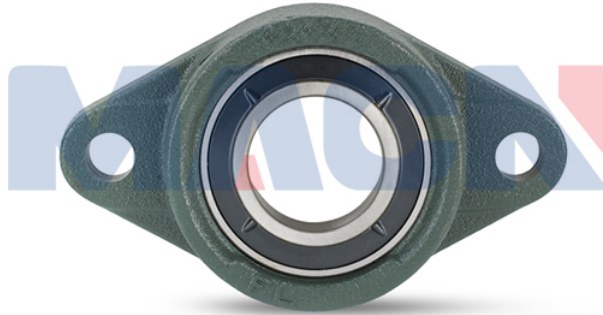


Model: UKFL206+HS2306

Shaft Dia.

d (in.): 7/8

d (mm):



Dimensions(mm)(inch)

H: 5.8268

J: 4.6063

L: 3.1496

A2: 0.7087

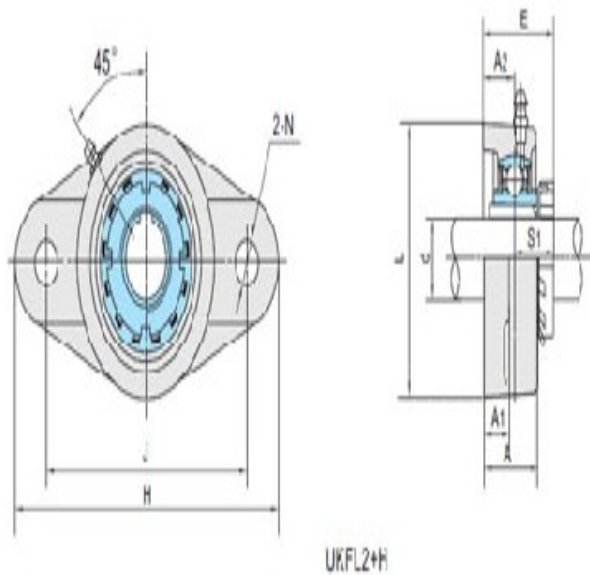
A1: 0.5118

A: 1.2205

N: 0.6299

E: 1.5354

S1: 0.8268



Unit No.

Unit No.: UKFL206+HS2306
6

Bolt Used (mm) (in.)

Bolt Used (mm)
(in.): 9/16

Bearing No.

Bearing No.:

Housing No.

Housing No.:

Adapter Used.

Adapter Used.: HS2306

Weight(kg)(lb)

Weight(kg)(lb):