



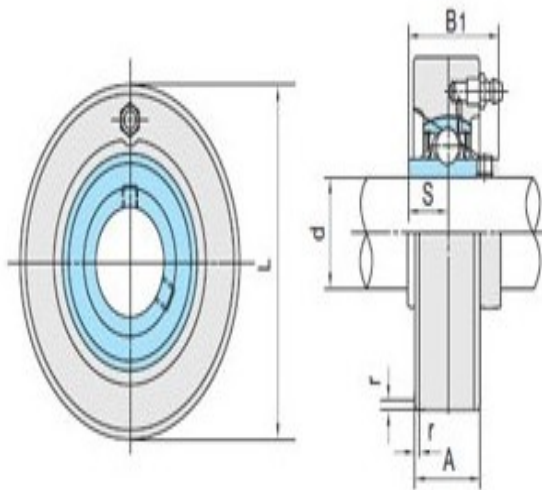
Model: UCC312-38

Shaft Dia.

d (in.):	23/8
d (mm):	

Dimensions(mm)(inch)

L:	6.2992
A:	1.8110
r:	0.1378
B:	2.7953
S:	1.0236



UCC2

Unit No.

Unit No.:	UCC312-38
-----------	-----------

Bearing No.

Bearing No.:	UC312-38
--------------	----------

Housing No.

Housing No.:	
--------------	--

Weight(kg)(lb)

Weight(kg)(lb):	
-----------------	--