

Model: UCC312-37

Shaft Dia.

d (in.): 2 1/4

d (mm):

Dimensions(mm)(inch)

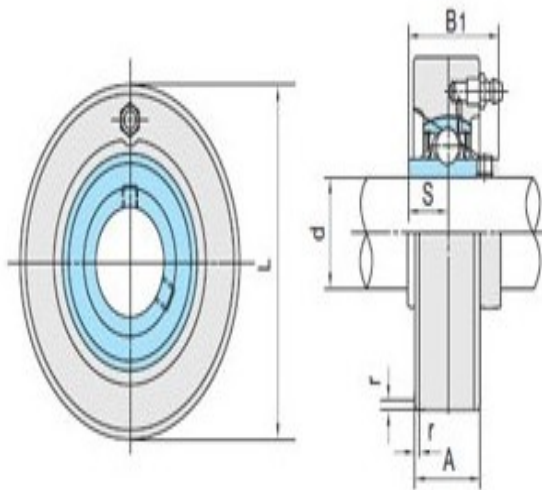
L: 6.2992

A: 1.8110

r: 0.1378

B: 2.7953

S: 1.0236



UCC2

Unit No.

Unit No.: UCC312-37

Bearing No.

Bearing No.: UC312-37

Housing No.

Housing No.:

Weight(kg)(lb)

Weight(kg)(lb): 10.6