

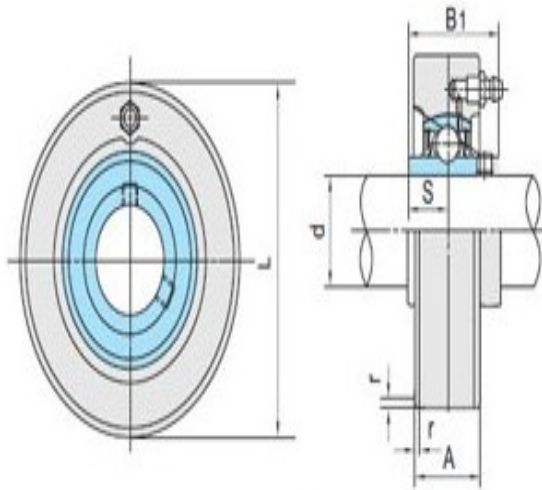
**Model: UCC312-36**

Shaft Dia.

d (in.):  
 d (mm):

Dimensions(mm)(inch)

L:	6.2992
A:	1.8110
r:	0.1378
B:	2.7953
S:	1.0236



UCC2

Unit No.

Unit No.: UCC312-36

Bearing No.

Bearing No.: UC312-36

Housing No.

Housing No.:

Weight(kg)(lb)

Weight(kg)(lb):