



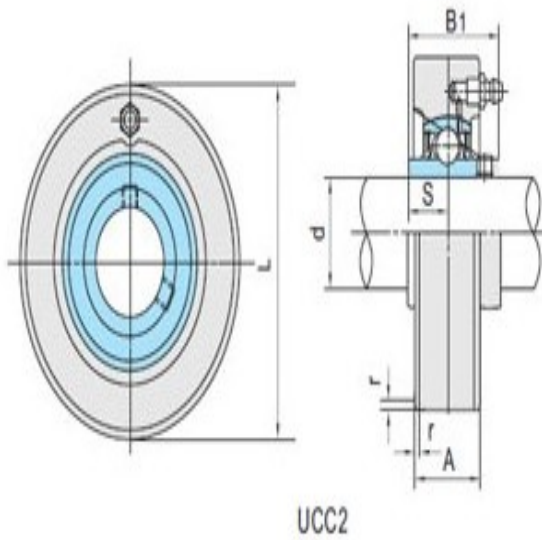
Model: UCC311-34

Shaft Dia.

d (in.):	21/16
d (mm):	

Dimensions(mm)(inch)

L:	5.9055
A:	1.7323
r:	0.1378
B:	2.5984
S:	0.9842



Unit No.

Unit No.:	UCC311-34
-----------	-----------

Bearing No.

Bearing No.:	UC311-34
--------------	----------

Housing No.

Housing No.:	
--------------	--

Weight(kg)(lb)

Weight(kg)(lb):	8.6
-----------------	-----