

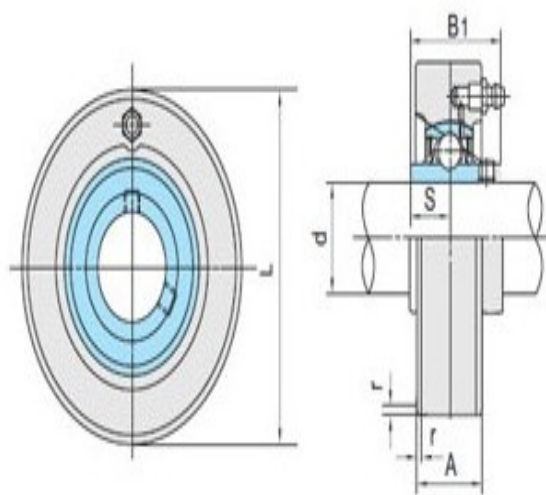
Model: UCC311

Shaft Dia.

d (in.):	
d (mm):	55

Dimensions(mm)(inch)

L:	150
A:	44
r:	3.5
B:	66
S:	25



UCC2

Unit No.

Unit No.:	UCC311
-----------	--------

Bearing No.

Bearing No.:	UC311
--------------	-------

Housing No.

Housing No.:	C311
--------------	------

Weight(kg)(lb)

Weight(kg)(lb):	3.93
-----------------	------