

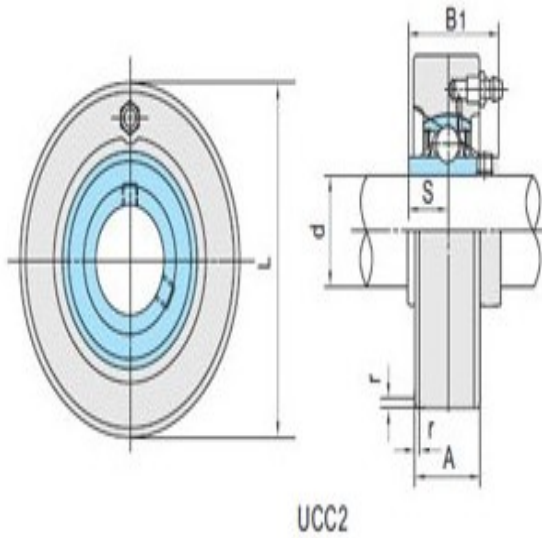
Model: UCC310

Shaft Dia.

d (in.):	
d (mm):	50

Dimensions(mm)(inch)

L:	140
A:	40
r:	3.5
B:	61
S:	22



Unit No.

Unit No.:	UCC310
-----------	--------

Bearing No.

Bearing No.:	UC310
--------------	-------

Housing No.

Housing No.:	C310
--------------	------

Weight(kg)(lb)

Weight(kg)(lb):	3.34
-----------------	------