



Model: UCC307-20

Shaft Dia.

d (in.): 1 1/4

d (mm):

Dimensions(mm)(inch)

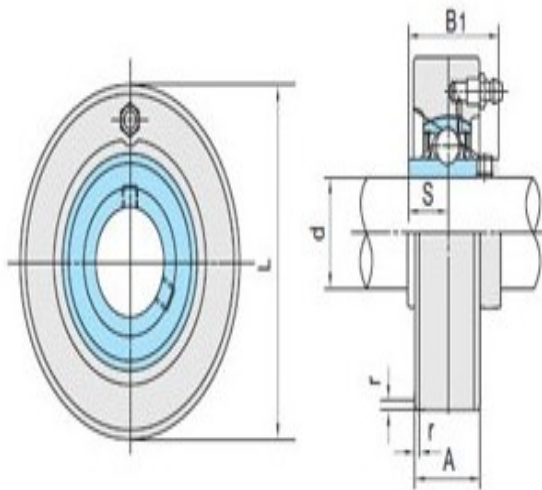
L: 4.3307

A: 1.2598

r: 0.1181

B: 1.8898

S: 0.7480



UCC2

Unit No.

Unit No.: UCC307-20

Bearing No.

Bearing No.: UC307-20

Housing No.

Housing No.:

Weight(kg)(lb)

Weight(kg)(lb):