

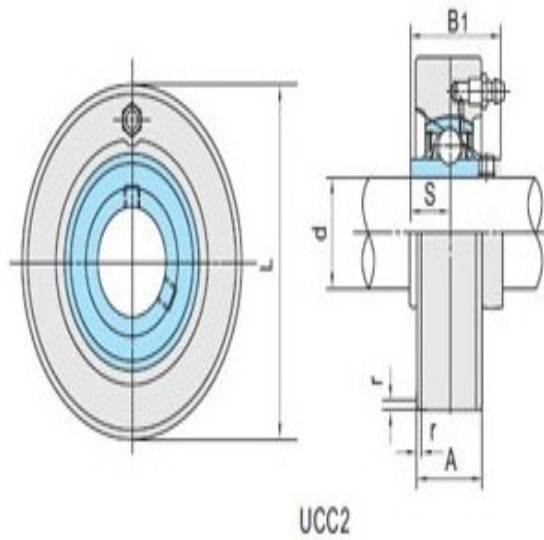
**Model: UCC307**

Shaft Dia.

|          |    |
|----------|----|
| d (in.): |    |
| d (mm):  | 35 |

Dimensions(mm)(inch)

|    |     |
|----|-----|
| L: | 110 |
| A: | 32  |
| r: | 3.0 |
| B: | 48  |
| S: | 19  |



Unit No.

|           |        |
|-----------|--------|
| Unit No.: | UCC307 |
|-----------|--------|

Bearing No.

|              |       |
|--------------|-------|
| Bearing No.: | UC307 |
|--------------|-------|

Housing No.

|              |      |
|--------------|------|
| Housing No.: | C307 |
|--------------|------|

Weight(kg)(lb)

|                 |      |
|-----------------|------|
| Weight(kg)(lb): | 1.80 |
|-----------------|------|