



Model: UCC210-31

Shaft Dia.

d (in.): 115/16

d (mm):

Dimensions(mm)(inch)

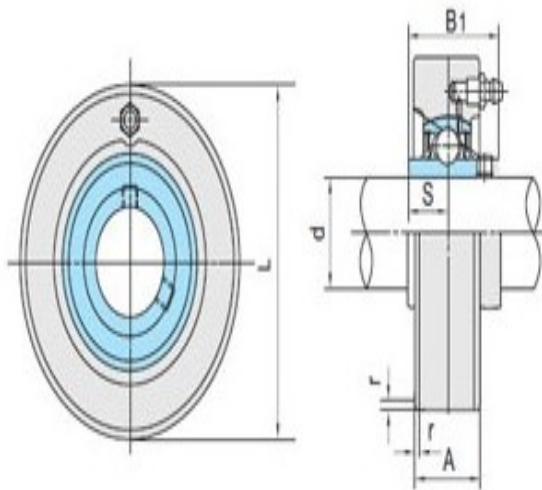
L: 4.7244

A: 1.2992

r: 0.0984

B: 2.0315

S: 0.7480



UCC2

Unit No.

Unit No.: UCC210-31

Bearing No.

Bearing No.: UC210-31

Housing No.

Housing No.:

Weight(kg)(lb)

Weight(kg)(lb):