

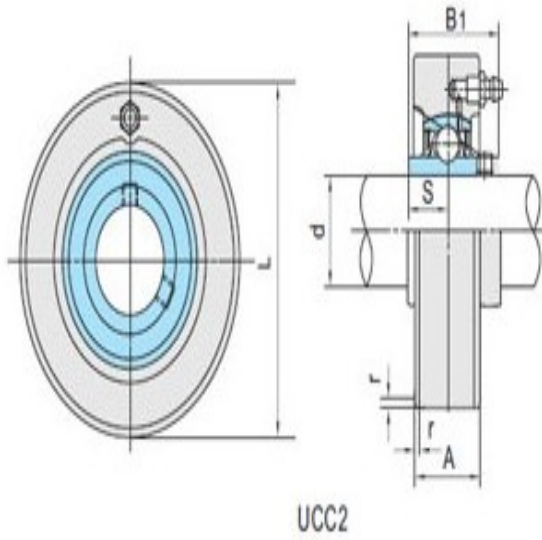
Model: UCC210

Shaft Dia.

d (in.):	
d (mm):	50

Dimensions(mm)(inch)

L:	120
A:	33
r:	2.5
B:	51.6
S:	19.0



Unit No.

Unit No.:	UCC210
-----------	--------

Bearing No.

Bearing No.:	UC210
--------------	-------

Housing No.

Housing No.:	C210
--------------	------

Weight(kg)(lb)

Weight(kg)(lb):	1.92
-----------------	------