



**Model: UCC209-28**

Shaft Dia.

d (in.): 13/4

d (mm):

Dimensions(mm)(inch)

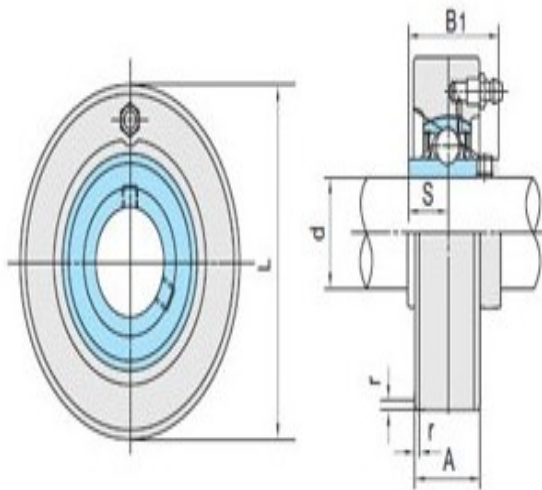
L: 4.3307

A: 1.2205

r: 0.0984

B: 1.9370

S: 0.7480



UCC2

Unit No.

Unit No.: UCC209-28

Bearing No.

Bearing No.: UC209-28

Housing No.

Housing No.:

Weight(kg)(lb)

Weight(kg)(lb):