

**Model: UCC207-20**

Shaft Dia.

d (in.): 1 1/4

d (mm):

Dimensions(mm)(inch)

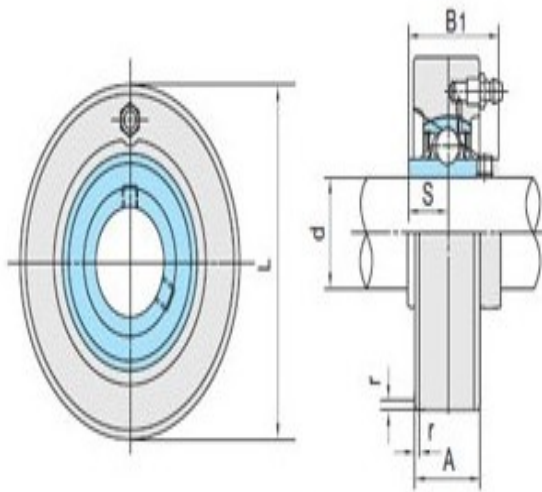
L: 3.5433

A: 1.1024

r: 0.0787

B: 1.6890

S: 0.6890



UCC2

Unit No.

Unit No.: UCC207-20

Bearing No.

Bearing No.: UC207-20

Housing No.

Housing No.:

Weight(kg)(lb)

Weight(kg)(lb):