



Model: UKC209+HS2309

Shaft Dia.

d (in.): 15/8

d (mm):

Dimensions(mm)(inch)

L: 4.3307

A: 1.2205

r: 0.0984

B: 1.9685

Unit No.

Unit No.: UKC209+HS2309

Bearing No.

Bearing No.:

Housing No.

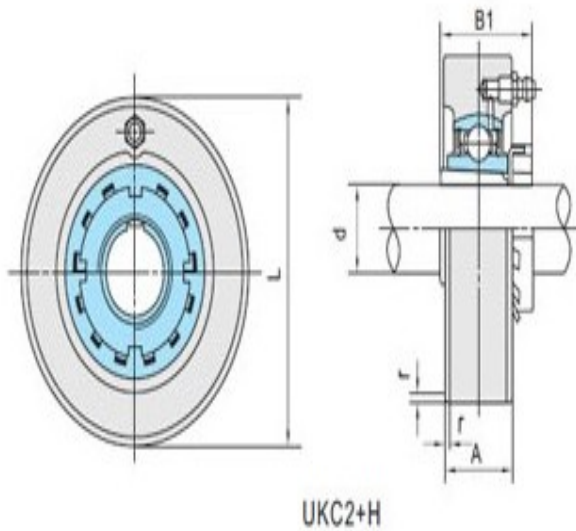
Housing No.:

Adapter Used.

Adapter Used.: HS2309

Weight(kg)(lb)

Weight(kg)(lb):



UKC2+H