



Model: UKC207+HA2307

Shaft Dia.

d (in.): 11/4

d (mm):

Dimensions(mm)(inch)

L: 3.5433

A: 1.1024

r: 0.0787

B: 1.6929

Unit No.

Unit No.: UKC207+HA2307

Bearing No.

Bearing No.:

Housing No.

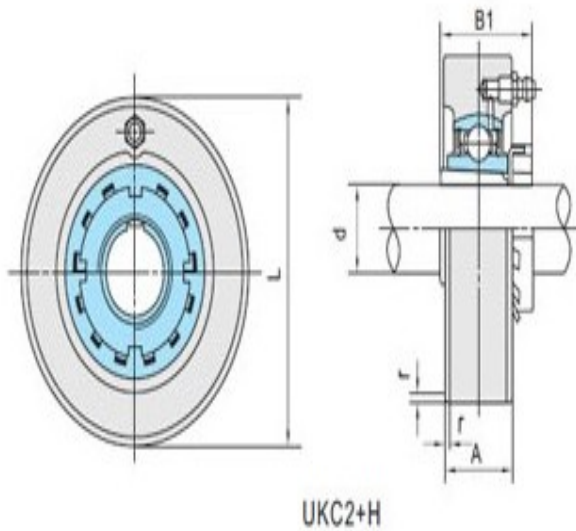
Housing No.:

Adapter Used.

Adapter Used.: HA2307

Weight(kg)(lb)

Weight(kg)(lb):



UKC2+H