

Model: UKC205+H2305

Shaft Dia.

d (in.):

d (mm):

Dimensions(mm)(inch)

L:

A:

r:

B:

Unit No.

Unit No.:

Bearing No.

Bearing No.:

Housing No.

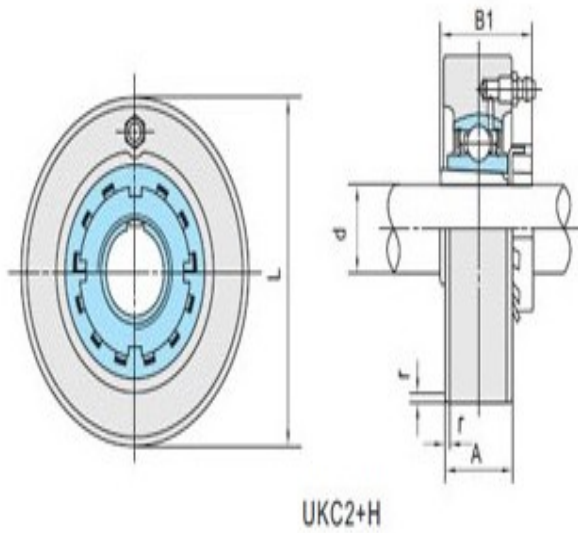
Housing No.:

Adapter Used.

Adapter Used.:

Weight(kg)(lb)

Weight(kg)(lb):



UKC2+H