



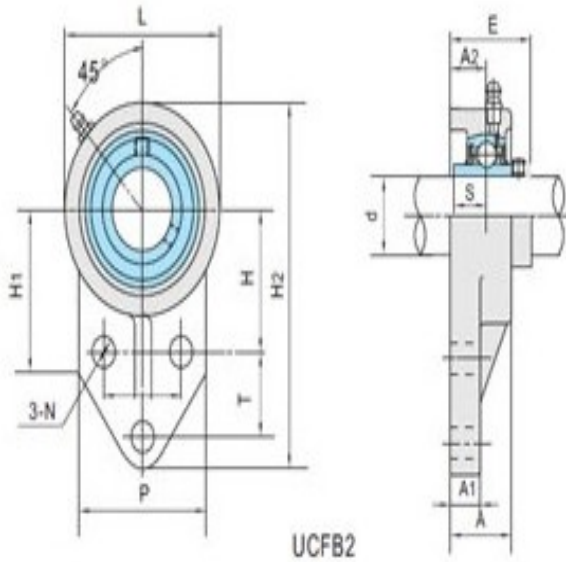
Model: UCFB210

Shaft Dia.

d (in.):	
d (mm):	50

Dimensions(mm)(inch)

H2:	184
L:	112
P:	86
H:	68
J:	58
T:	46
H1:	82
A2:	22
A1:	18
A:	40
N:	12
E:	54.6
S:	19.0



Unit No.

Unit No.:	UCFB210
-----------	---------

Bolt Used (mm) (in.)

Bolt Used (mm) (in.):	M10
-----------------------	-----

Bearing No.

Bearing No.:	UC210
--------------	-------

Housing No.

Housing No.:	FB210
--------------	-------

Weight(kg)(lb)

Weight(kg)(lb):	2.41
-----------------	------