



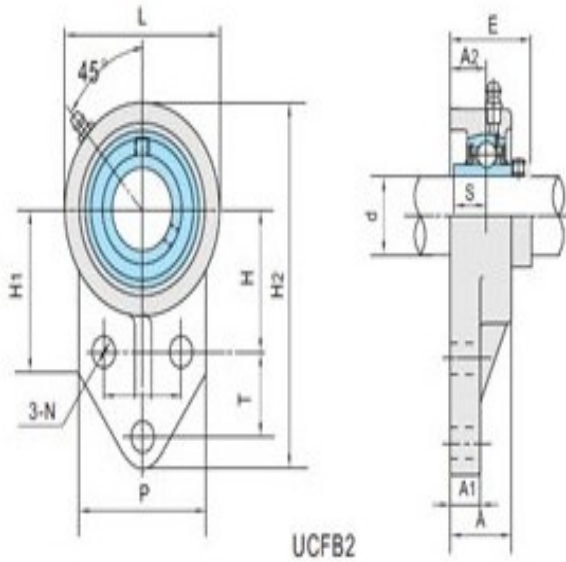
Model: UCFB207-20

Shaft Dia.

d (in.):	1 1/4
d (mm):	

Dimensions(mm)(inch)

H2:	5.6693
L:	3.5433
P:	2.7559
H:	2.1654
J:	1.8110
T:	1.2598
H1:	2.4409
A2:	0.7480
A1:	0.5906
A:	1.3386
N:	0.3937
E:	1.7480
S:	0.6890



Unit No.

Unit No.:	UCFB207-20
-----------	------------

Bolt Used (mm) (in.)

Bolt Used (mm) (in.):	5/16
-----------------------	------

Bearing No.

Bearing No.:	UC207-20
--------------	----------

Housing No.

Housing No.:	
--------------	--

Weight(kg)(lb)

Weight(kg)(lb):	
-----------------	--