



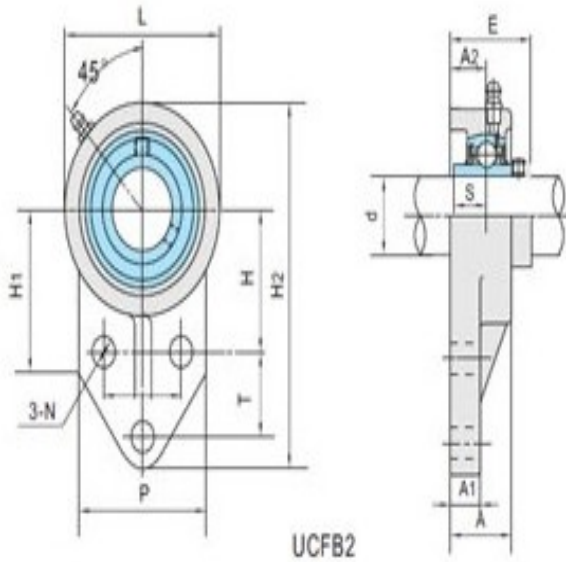
Model: UCFB201-8

Shaft Dia.

d (in.):	1/2
d (mm):	

Dimensions(mm)(inch)

H2:	4.3307
L:	2.4409
P:	2.0472
H:	1.6563
J:	1.2598
T:	1.0630
H1:	2.0472
A2:	0.5906
A1:	0.5118
A:	1.0039
N:	0.3937
E:	1.3110
S:	0.5000



Unit No.

Unit No.:	UCFB201-8
-----------	-----------

Bolt Used (mm) (in.)

Bolt Used (mm) (in.):	5/16
-----------------------	------

Bearing No.

Bearing No.:	UC201-8
--------------	---------

Housing No.

Housing No.:	
--------------	--

Weight(kg)(lb)

Weight(kg)(lb):	1.2
-----------------	-----