

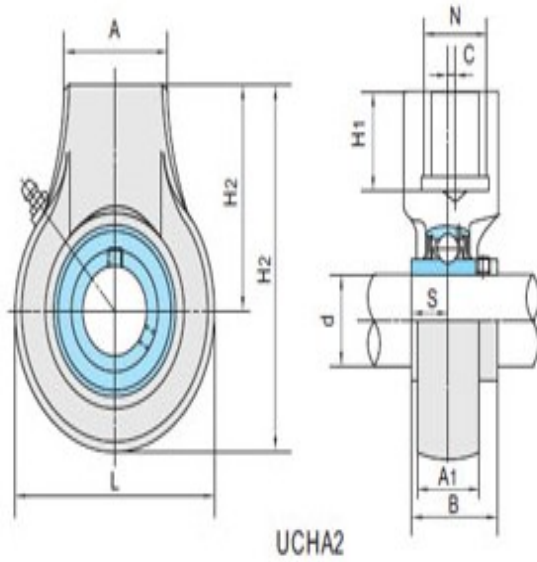
Model: UCHA213-40

Shaft Dia.

d (in.):	2 1/2
d (mm):	

Dimensions(mm)(inch)

L:	6.5354
H:	4.6063
H2:	7.8740
H1:	1.2598
C:	0.3740
A:	2.7559
A1:	1.7323
B:	2.5630
S:	1.0000
N:	



Unit No.

Unit No.:	UCHA213-40
-----------	------------

Bearing No.

Bearing No.:	UC213-40
--------------	----------

Housing No.

Housing No.:	
--------------	--

Weight(kg)(lb)

Weight(kg)(lb):	14.6
-----------------	------