



Model: SAPP202-9

Shaft Dia.

d (in.): 9/16

d (mm):

Dimensions(mm)(inch)

H: 0.8740

L: 3.3858

J: 2.6772

A: 0.9842

N: 0.3543

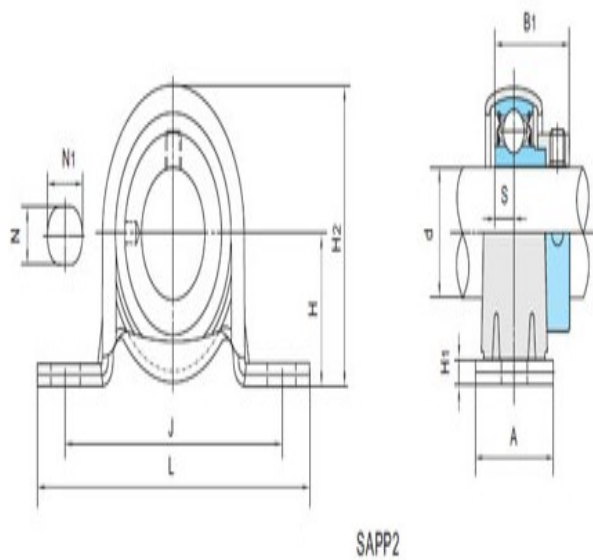
N1: 0.5000

H1: 0.1260

H2: 1.7244

S: 0.2559

B1: 1.1260



Unit No.

Unit No.: SAPP202-9

Bolt Used (mm) (in.)

Bolt Used (mm) (in.): 5/16

Bearing No.

Bearing No.: SA202-9F

Housing No.

Housing No.:

Weight(kg)(lb)

Weight(kg)(lb): 0.44