



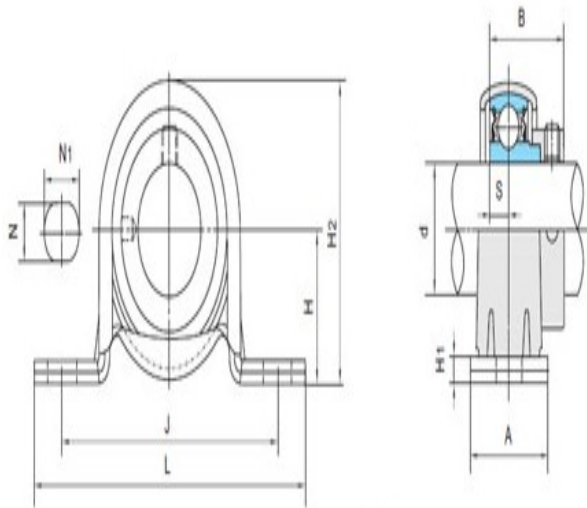
**Model: SBPP207-20**

Shaft Dia.

d (in.):	1 1/4
d (mm):	

Dimensions(mm)(inch)

H:	1.5630
L:	5.0787
J:	4.1732
A:	1.6535
N:	0.5315
N1:	0.7520
H1:	0.1811
H2:	3.0709
S:	0.3346
B:	1.2598



SAPP2

Unit No.

Unit No.:	SBPP207-20
-----------	------------

Bolt Used (mm) (in.)

Bolt Used (mm) (in.):	1/2
-----------------------	-----

Bearing No.

Bearing No.:	SB207-20
--------------	----------

Housing No.

Housing No.:	
--------------	--

Weight(kg)(lb)

Weight(kg)(lb):	
-----------------	--