



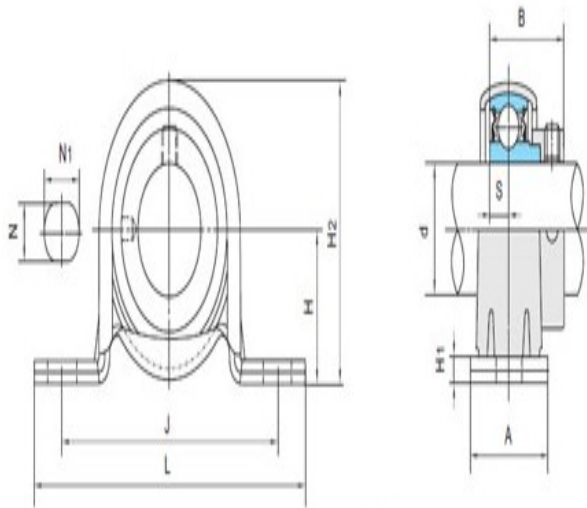
Model: SBPP206

Shaft Dia.

d (in.):	
d (mm):	30

Dimensions(mm)(inch)

H:	33.3
L:	117
J:	95
A:	38
N:	11
N1:	14.3
H1:	4.0
H2:	66.3
S:	8.0
B:	30



SAPP2

Unit No.

Unit No.:	SBPP206
-----------	---------

Bolt Used (mm) (in.)

Bolt Used (mm) (in.):	M10
-----------------------	-----

Bearing No.

Bearing No.:	SB206
--------------	-------

Housing No.

Housing No.:	PP206
--------------	-------

Weight(kg)(lb)

Weight(kg)(lb):	0.45
-----------------	------