



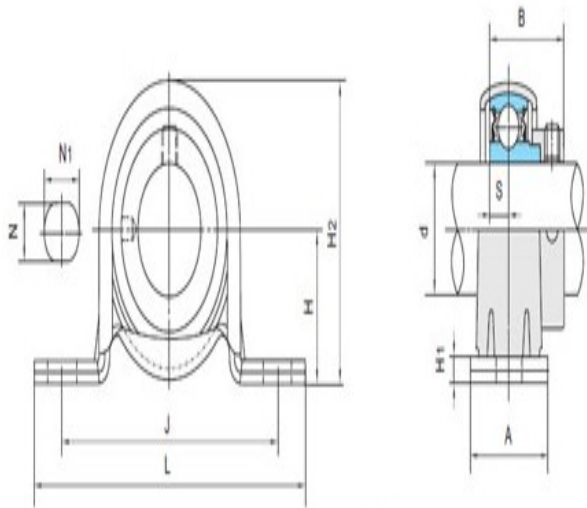
Model: SBPP201-8

Shaft Dia.

d (in.):	1/2
d (mm):	

Dimensions(mm)(inch)

H:	0.8740
L:	3.3858
J:	2.6772
A:	0.9842
N:	0.3543
N1:	0.5000
H1:	0.1260
H2:	1.7244
S:	0.2362
B:	0.8661



SAPP2

Unit No.

Unit No.:	SBPP201-8
-----------	-----------

Bolt Used (mm) (in.)

Bolt Used (mm) (in.):	5/16
-----------------------	------

Bearing No.

Bearing No.:	SB201-8
--------------	---------

Housing No.

Housing No.:	
--------------	--

Weight(kg)(lb)

Weight(kg)(lb):	0.37
-----------------	------