



Model: SAPF208-25

Shaft Dia.

d (in.): 19/16

d (mm):

Dimensions(mm)(inch)

L: 5.8268

P: 4.6850

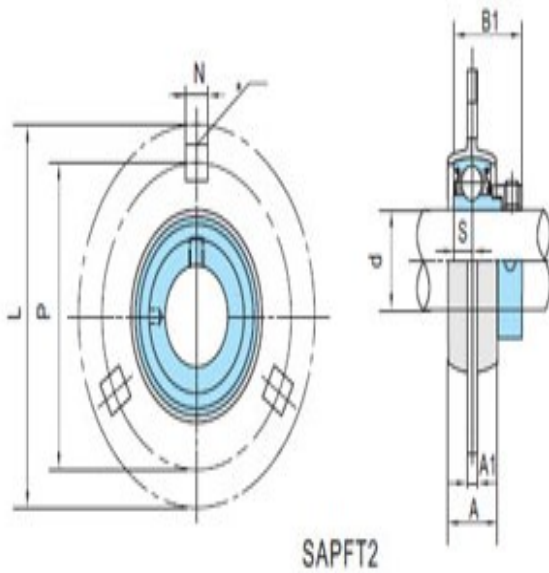
A1: 0.2362

N: 0.5315

A: 0.8661

B1: 1.7205

S: 0.4331



Unit No.

Unit No.: SAPF208-25

Bolt Used (mm) (in.)

Bolt Used (mm) (in.): 7/16

Bearing No.

Bearing No.: SA208-25F

Housing No.

Housing No.:

Weight(kg)(lb)

Weight(kg)(lb): 2.68