



**Model: SAPF207-21**

Shaft Dia.

d (in.): 15/16

d (mm):

Dimensions(mm)(inch)

L: 4.8031

P: 3.9370

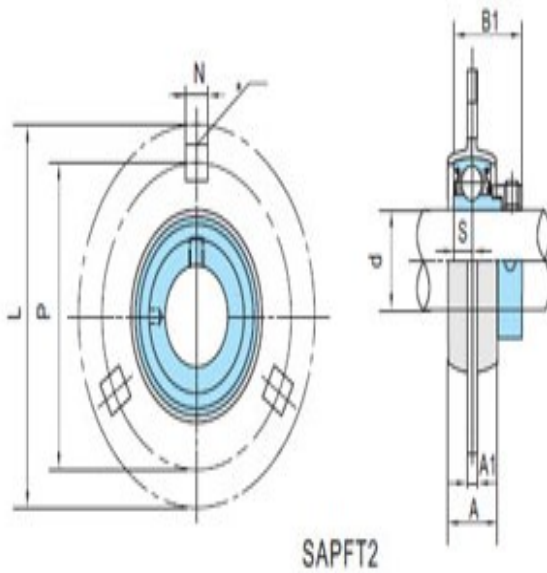
A1: 0.1969

N: 0.4331

A: 0.7874

B1: 1.5315

S: 0.3740



Unit No.

Unit No.: SAPF207-21

Bolt Used (mm) (in.)

Bolt Used (mm) (in.): 3/8

Bearing No.

Bearing No.: SA207-21F

Housing No.

Housing No.:

Weight(kg)(lb)

Weight(kg)(lb): 2.11