



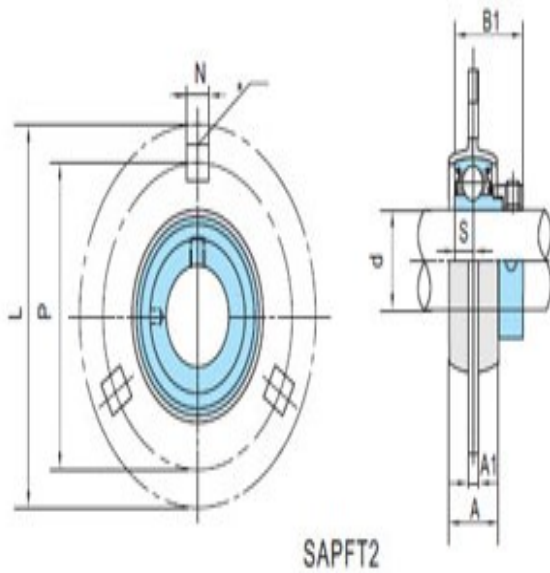
Model: SAPF204-12

Shaft Dia.

d (in.):	3/4
d (mm):	

Dimensions(mm)(inch)

L:	3.5433
P:	2.8150
A1:	0.1575
N:	0.3543
A:	0.6299
B1:	1.2205
S:	0.2953



Unit No.

Unit No.:	SAPF204-12
-----------	------------

Bolt Used (mm) (in.)

Bolt Used (mm) (in.):	5/16
-----------------------	------

Bearing No.

Bearing No.:	SA204-12F
--------------	-----------

Housing No.

Housing No.:	
--------------	--

Weight(kg)(lb)

Weight(kg)(lb):	0.73
-----------------	------